

VEHICLE TYPE

BMC

TRANSMISSION CODE

ESO-6106A(6.20-0.78)

This side-mounted PTO transmission has a single two-axis output. Meeting
It is done in the main transmission. PTO gear from main transmission
It transfers the movement it receives through the gears in the
gearbox.
It transmits it to the output proportionally.
Equipment outlet is compatible with ISO4 Bolted pump outlet. on
demand
Output can also be provided with SAE -B / BB , Keyed Shaft and
Coupling.
Activation/deactivation via pneumatic control mechanism
is provided. The lubrication system is provided by oil taken from the
main transmission.
There is no need to add oil to the PTO afterwards.

HİDROLİK POMPA ve ARA ŞANZİMAN PTO İMALAT
SAN.LTD.ŞTİ.

AOS. 1. OSB. Erkunt Cad. No: 6 Sincan / ANKARA

Tel.+90 312 267 39 71-Fax +90 312 267 38 72

info@kozmaksan.com.tr

Website: www.kozmaksan.com.tr

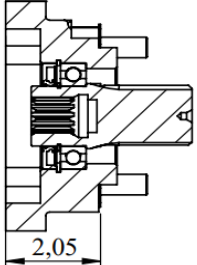
TECHNICAL VALUES

	MAX VALUES	RATIO	WORKING RPM RANGE (MAX)
1	363 N.m / 268 lbs.ft	-	

* Output Power ; The rpm and output power may vary. Contact Kozmaksan for exact working values.

Optimum Working Temperature	25-80°C	WEIGHT	12 Kg / 26,45 lbs
Short-term Working Temperature	80-90°C	BODY MATERIAL	GE GJS-400-15 US 65-42-42 TR GGG-50
Risky Working Temperature	OVER 90°C	OIL TYPE & AMOUNT	-

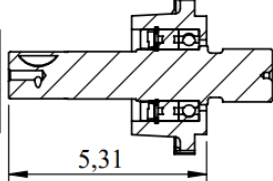
Output Options



Connection Type	ISO-->SAE-B
Kw-Nm Values	25Kw - 239Nm

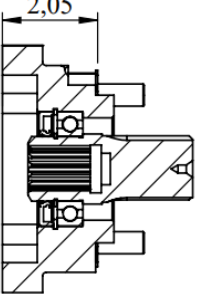
AKP.ISO.4-SAE-B.Z-13

Connect Type	ISO-->KEY SHAFT(1 1/4")
Kw-Nm Values	32Kw - 305Nm

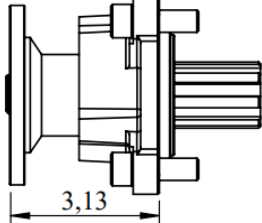


KIT.ISO.KAMA

Connection Type	ISO-->SAE-BB
Kw-Nm Values	27Kw - 258Nm



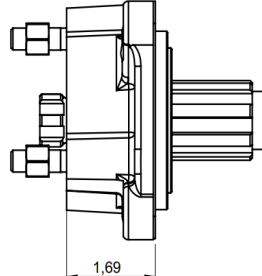
AKP.ISO.4-SAE-B-B.Z-15



Connection Type	ISO-->UF
Kw-Nm Values	32Kw - 305Nm

KIT.55.02.UF

C06-045	C06-076	C06-082
ISO 7647-SAE 1300x4x10	ISO 7646-100x6x8	ISO 7647 - SAE 1100x4x8



Connection Type	ISO-->KF
Kw-Nm Values	32Kw - 305Nm

KIT.52.01.KF