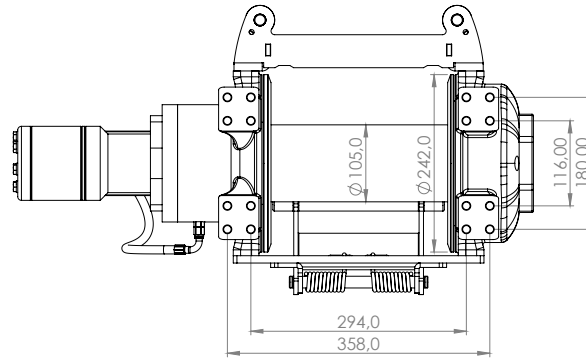
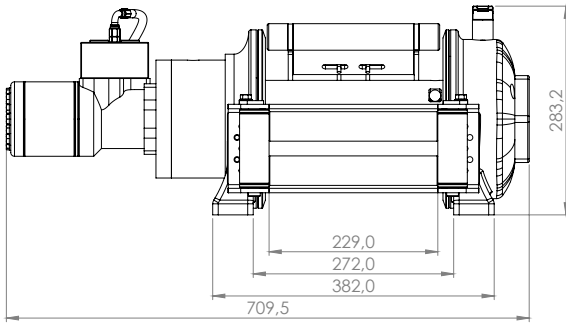
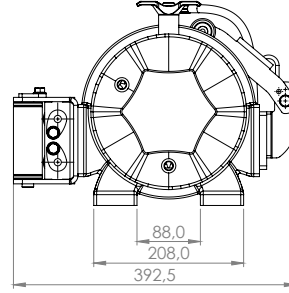
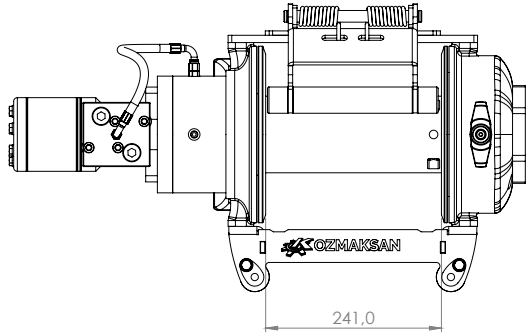
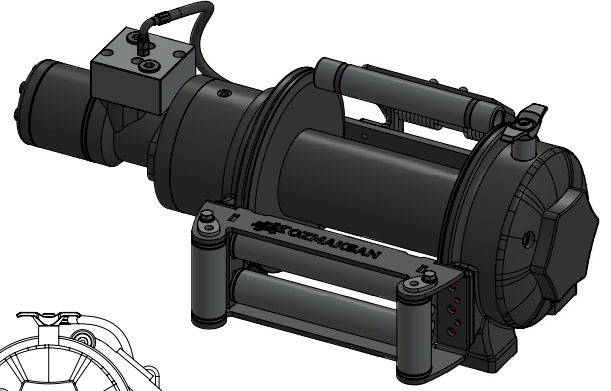


- ▶ Hydraulic Disc Brake System
- ▶ Fairlead 4-Way Roller and Rope Stabilizer Including
- ▶ 25 m Rope and Hook Including
- ▶ Manual Winch Discharge System is standard



Rope Winding Count	Pulling Capacity kg
1	8200
2	6640
3	5580
4	4800
5	4200

Maximum Pulling Force	: 8200 kg
Maximum Rope Diameter	: 14mm
Maximum Pump Flow	: 60L
Maximum Operating Pressure	: 150 bar
Recommended Gear Oil Product	: 80w 90 - 0.80L
Weight	: 85 kg