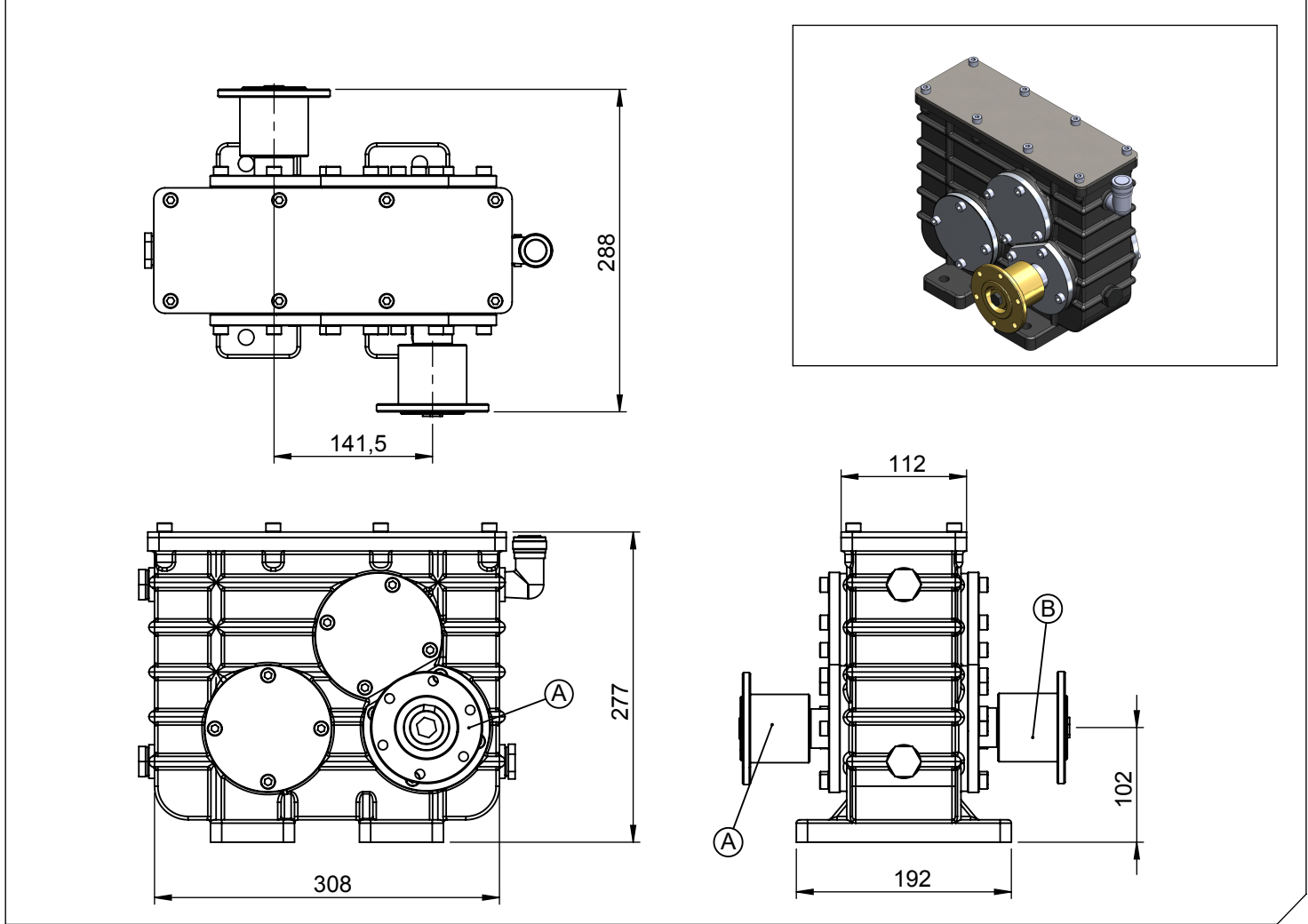


<b>Application Type</b>	Horizontal Usage
<b>Gearbox Type</b>	3 Axis RPM Inreaser

<b>Product Code</b>	<b>KRD.03</b>
---------------------	---------------

### Products Views



### Component Details

A-B : Reductor Input and Output Flanged  
(ISO 7646, ISO 7647, DIN, SAE, ISO, UNI Standards)

### Technical Details

Max. Power	Max. Torque		Input/Output	Mounting Type	Sense of Rotation
	kW	Nm			
50	480.5	49	1/1.91	Split Shaft	Same as Input
				<b>Weight</b> 42 kg	



**Ofis / Office**  
Tel. +90 312 354 05 39  
Fax +90 312 354 34 59  
7. Sokak No: 9  
Ostim / ANKARA  
e-mail: [info@kozmaksan.com.tr](mailto:info@kozmaksan.com.tr)

**Fabrika / Factory**  
Tel. +90 312 267 39 71  
Fax +90 312 267 38 72  
AOS. 1. OSB. Erkunt Cad. No: 6  
Sincan / ANKARA  
Website: [www.kozmaksan.com.tr](http://www.kozmaksan.com.tr)