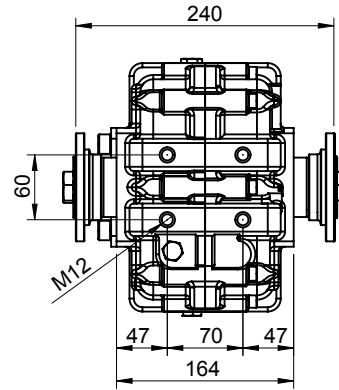
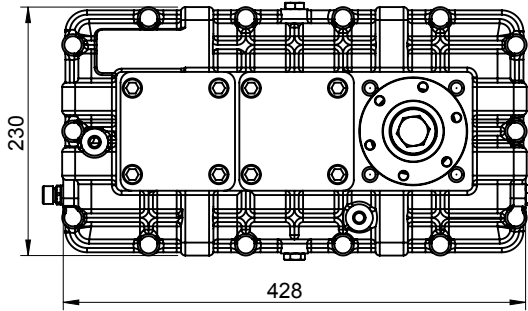
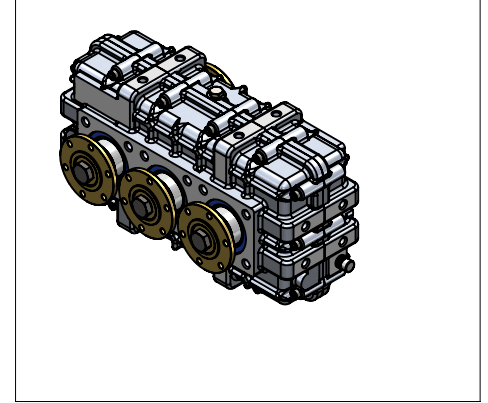
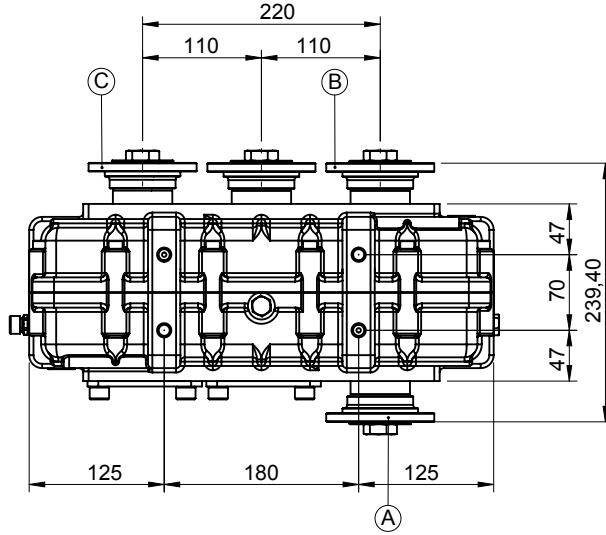


Application Type	Horizontal or Vertical Usage
Gearbox Type	3 Axis RPM Increaser/Decreaser

Product Code	<b>KRD.29</b>
Revision No- Date	01 / 10.10.2016



### Products Views



### Component Details

A : Input Flange (ISO 7647 - ISO 7646 - Standard Flange)  
 B : Output Flange (ISO 7647 - ISO 7646 - Standard Flange)  
 C : Output Flange (ISO 7647 - ISO 7646 - Standard Flange)

### Technical Details

Outputs	Max. Power	Max. Torque		Input/Output	Mounting Type	Sense of Rotation
	kW	Nm	kgm			
A	150	1421	145	1/1	Split Shaft	Same as Input
B		1421	145			
C	150	393	40	1/0,79 1/1,51 1/0,89 1/1,61 1/0,94 1/1,69 1/1,26 1/2,02 1/1,33	36 kg	