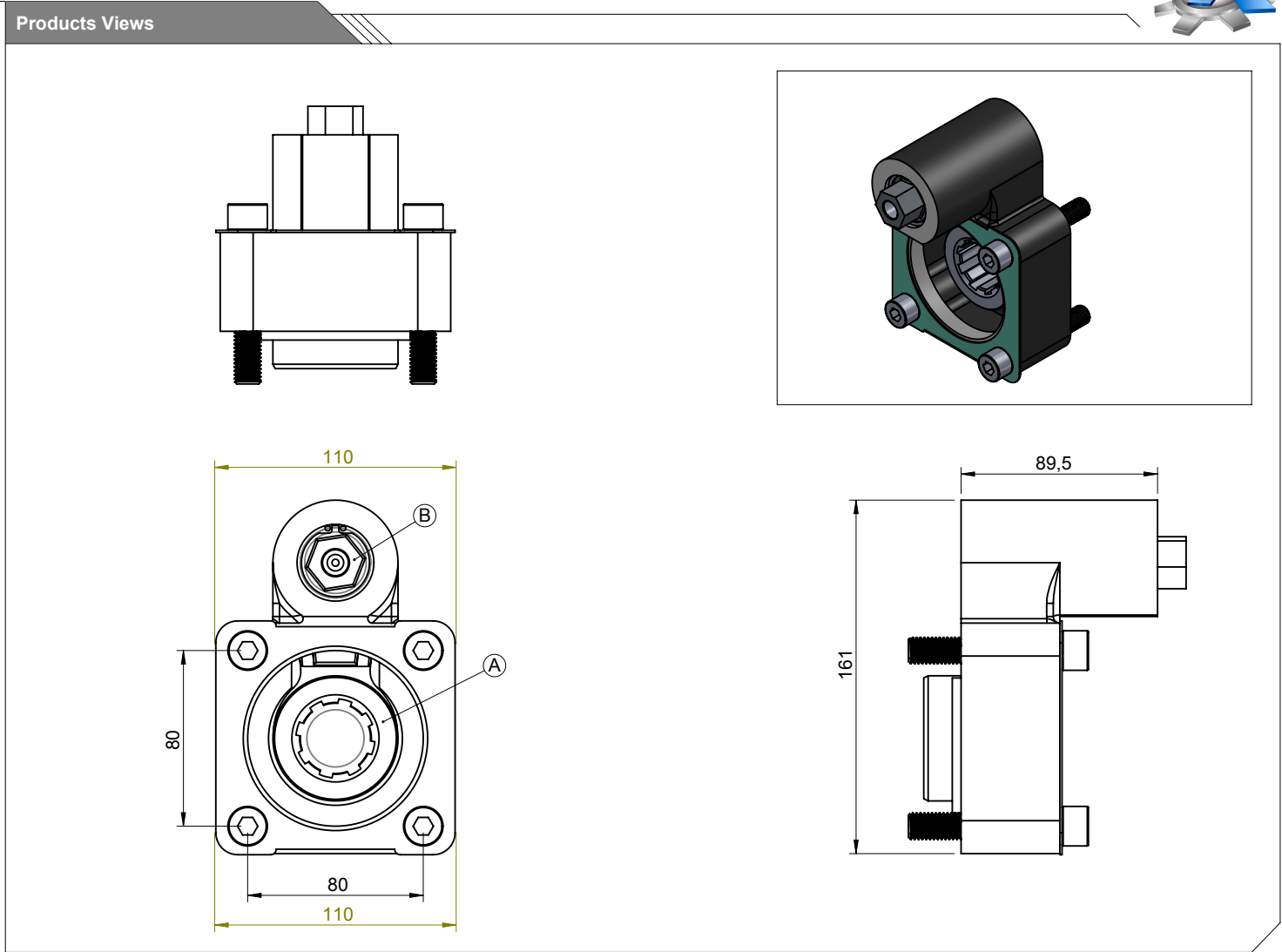


Vehicle Type	MAN/MERCEDES / BMC PROFESYONEL / FORD CARGO / CHRYSLER HINO / DODGE / FARGO KORE HYUNDAI / IVECO / DAF / DAEWOO / RENAULT / EBRO / GUY / AVIA / SAURER / SISU STEYR
Gearbox Type	ZF 16S251-220-221-151-150-130 ZF S5/AK/6S-120-111-110-92 GP ZF S5/AK/6S-90-80-70-66-65-55- 50 42-36-35 / ZF 9S75/9S109/16S109 / ZF AK 6 80/AK 6 90/S6 80/S6 90

Product Code	ZF.1
---------------------	-------------



Component Details	<p>A : PTO Output (Standard DIN 5462 8X32X36 ISO 4 Bolt) Direct mounting UNI 3 bolt mtg. adapter Drive flange</p> <p>B : Air Inlet R 1/4"</p>
--------------------------	---

Technical Details					
Power	Maximum Torque		Input/Output	Mounting Side	Control Type
	kW	Nm			
50	480	49	1/1	Rear PTO	Pneumatic
				Weight	Sense of Rotation
				6 kg	Same as Input