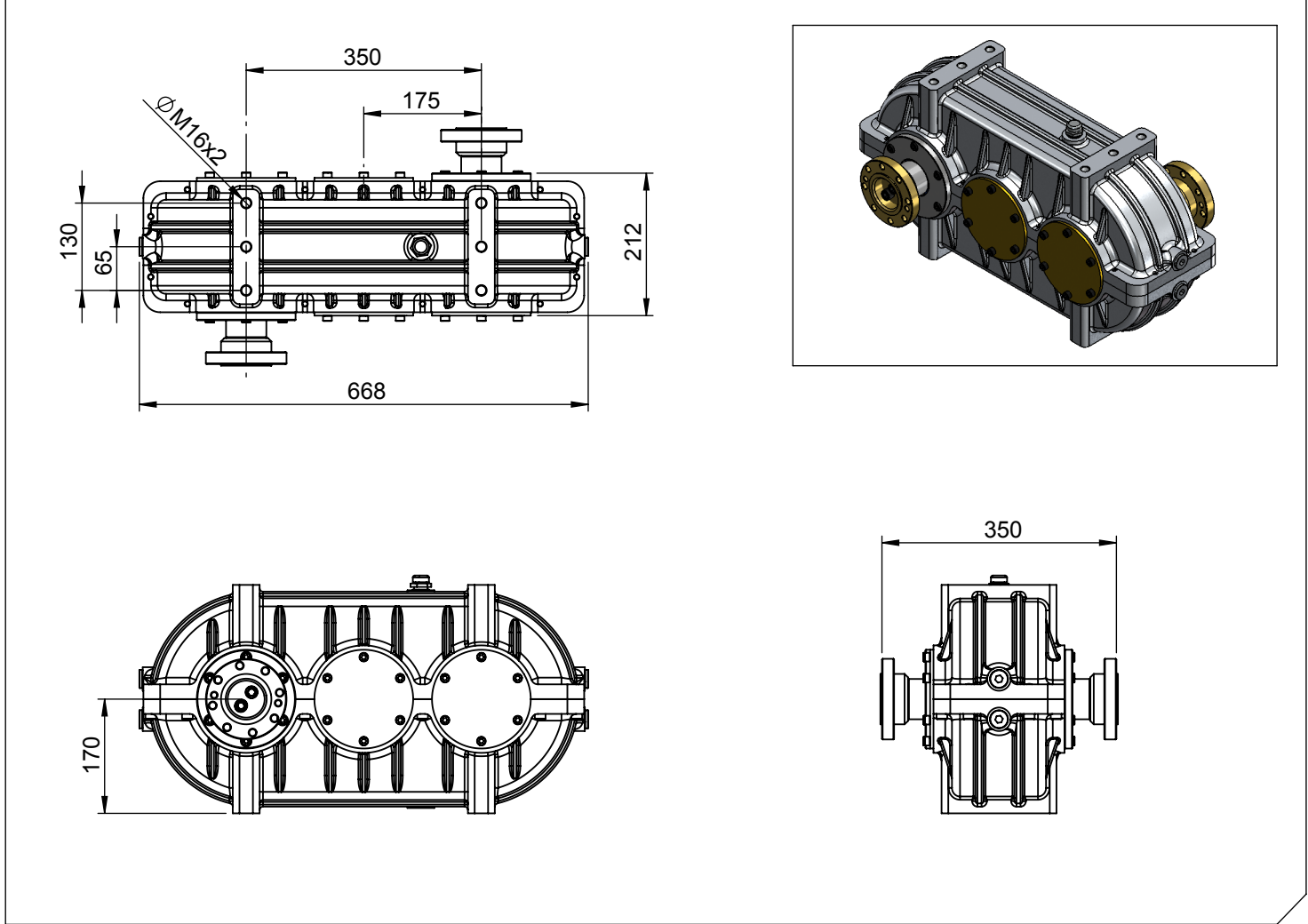


Application Type	Horizontal or Vertical Usage
Gearbox Type	3 Axis RPM Increaser/Decreaser

Product Code	KRD.11.F
Revision No- Date	00 / 16.05.2017



Products Views



Component Details

A : Reductor Input and Output Flanged
(ISO 7646 - ISO 7647) (Optional)

Technical Details

Max. Power	Max. Torque		Internal Ratio	Mounting Type	Sense of Rotation
	kW	Nm			
250	2383	243	1/3.53	Split Shaft	Same as input
				Weight	
				85 kg	