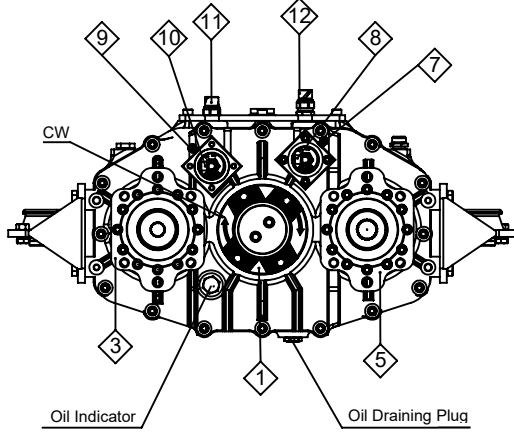


<b>VEHICLE TYPE</b>	SWEPPER, FIRE FIGHTING, ROAD MAINTENANCE AND CLEANING VEHICLES
<b>GEARBOX TYPE</b>	HYDROSTATIC HORIZONTAL SPLIT SHAFT PTO

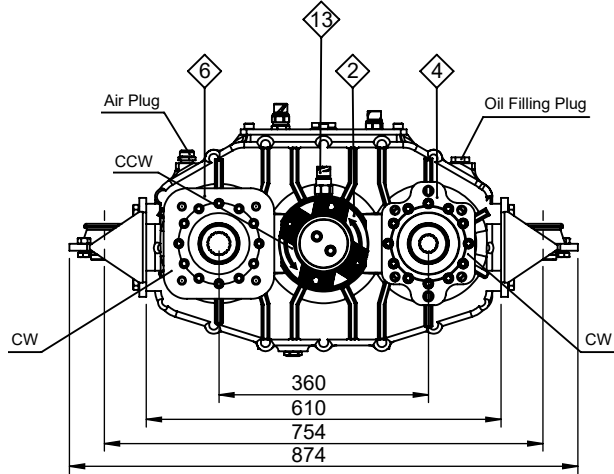
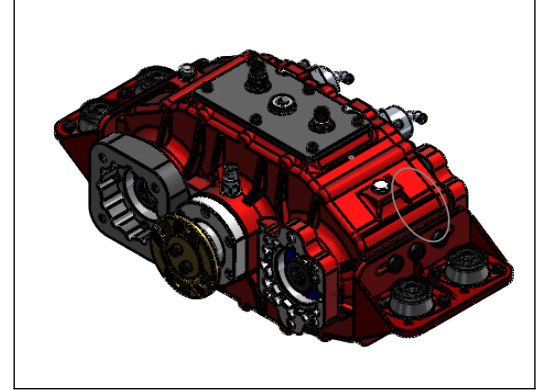
<b>PRODUCT CODE</b>	<b>UARA.2501</b>
<b>Revision No-Date</b>	<b>02-02.03.2018</b>



## PRODUCT VIEWS

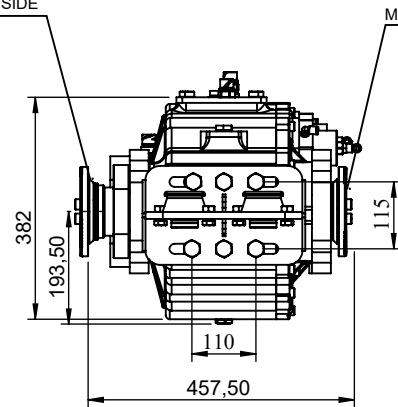


**MAIN TRANSMISSION SIDE**



**DIFFERENTIAL SIDE**

**DIFFERENTIAL SIDE**



**MAIN TRANSMISSION SIDE**

## PTO OUTPUTS

- 1 : ISO 8667 - T150 Standard Flange
- 2 : ISO 8667 - T150 Standard Flange
- 3 : SAE - ISO Pump Housing
- 4 : SAE - ISO Pump Housing
- 5 : SAE - ISO Hydromotor Housing
- 6 : SAE - ISO Hydromotor Housing
- 7 : Air Inlet (Hydrostatic Drive Engage)
- 8 : Air Inlet (Hydrostatic Drive Disengage)

- 9 : Air Inlet (Main Drive Disengage, Pump Engage)
- 10 : Air Inlet (Main Drive Engage, Pump Disengage)
- 11 : Engage/Disengage Sensor (Opt.)
- 12 : Engage/Disengage Sensor (Opt.)
- 13 : RPM Counter (Opt.)

## TECHNICAL DATA

Outputs	Max. Torque	Max. Power	Internal Ratio	Mounting Type	Control Type
1 & 2	2100 KGM	-	1/1	Split Shaft	Pneumatic
3 & 4	-	200 kW	1/1.3 1/1.75		
5 & 6	400 KGM	-	4.5/1	200 kg	-



**Ofis**  
 Tel. +90 312 354 05 39  
 Fax +90 312 354 34 59  
 7. Sokak No: 9  
 Ostim / ANKARA  
 e-mail: [info@kozmaksan.com.tr](mailto:info@kozmaksan.com.tr)

**Fabrika / Factory**  
 Tel. +90 312 267 39 71  
 Fax +90 312 267 38 72  
 AOS. 1. OSB. Erkunt Cad. No: 6  
 Sincan / ANKARA  
 Website: [www.kozmaksan.net](http://www.kozmaksan.net)